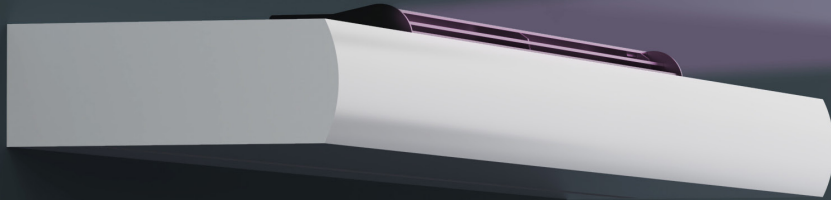


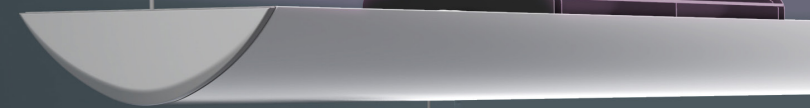
elliptipar[®]
continuous linear

G417 integral G514 remote G516 remote G518 remote

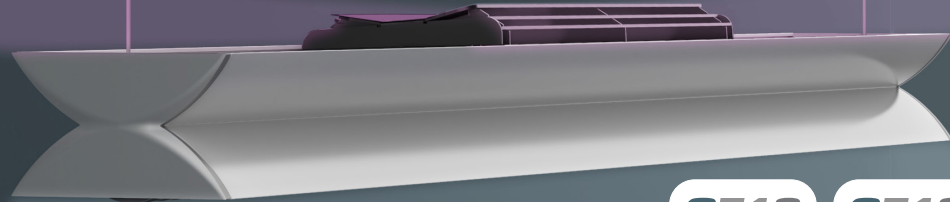
UV-C Germicidal Disinfection
offered with or without lighting



G417



G514



G516

G518



ETL Listed to UL1598,
CSA C22.2#250.0, UL8802

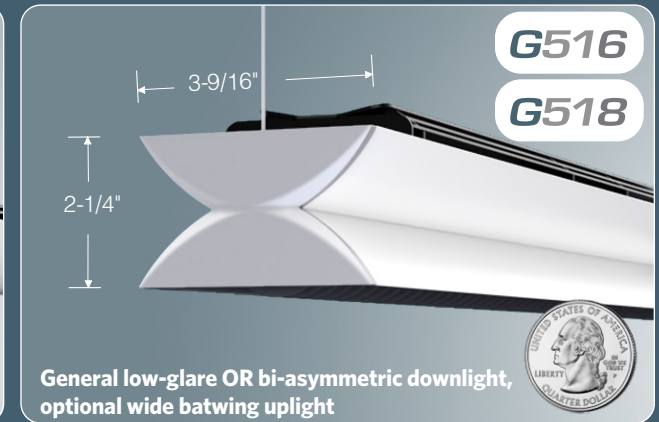
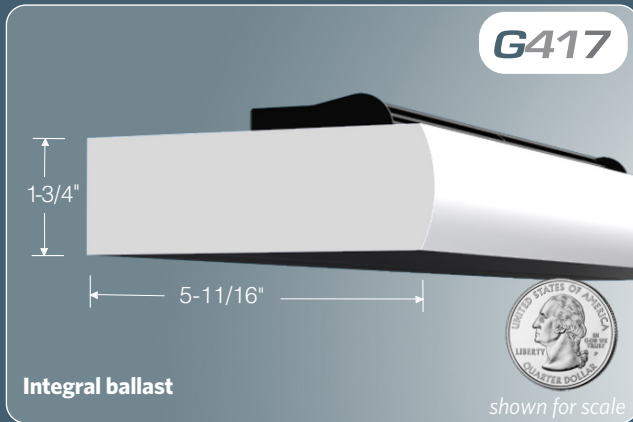


shown for scale

Disinfect the Air -Safely-
While You're There

elliptipar[®] tambient[®] electriX[®] MEYER[®]

thelightingquotient.com

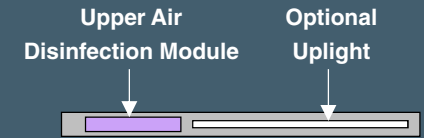


- Rapidly disinfects circulating indoor air
- Separate control of UV-C and visible light output
- Multiple dimming protocols
- Precision louver system
- Direct, indirect, and direct/indirect LED lighting options
- Universal voltage 120-277V or 347V
- 254nm Low Pressure Mercury
- All aluminum extruded housing and die-cast end plates

Styles and performance



Configuration	Length	Styles	Downlight (G516 and G518 only)	Optional Uplight
	2'	G417, G514		
	3'	G417		
	4'	G417		
	3'	G514, G516, G518	3'	
	4'	G514, G516, G518	4'	
	5'	G514, G516	5'	
	4'	G514, G516, G518	4'	2'
	5'	G514, G516, G518	5'	3'
	6'	G514, G516, G518	6'	4'
	6'	G514, G516, G518	6'	3'
	8'	G514, G516, G518	8'	4'



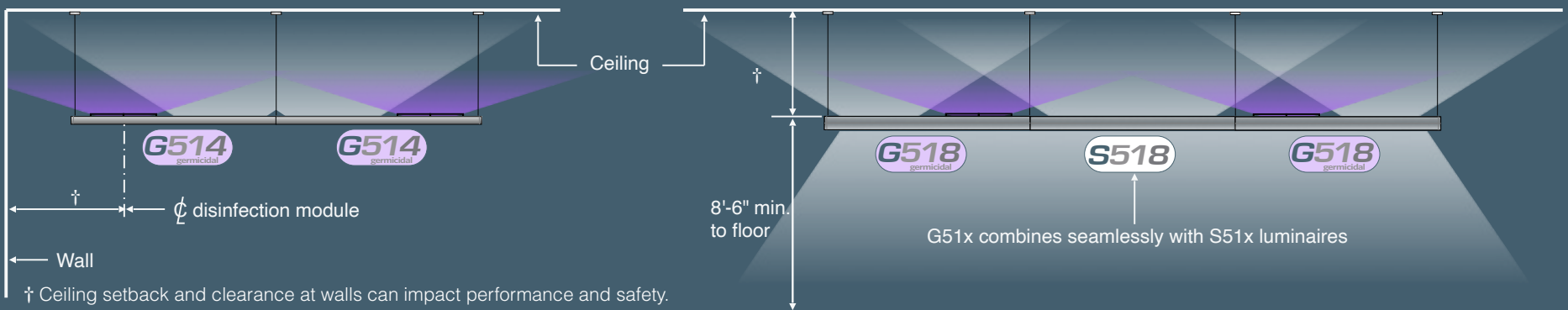
Note: Pendant units with two disinfection modules cannot be contiguously mounted. Consult factory for configurations and lengths not shown.

UV-C Output: 275nm peak wavelength
 Style G417, 177 mW/module
 Style G51x, 265 mW/module

Uplight*: 175ma, 459 lm/ft
 350ma, 899 lm/ft
 700ma, 1743 lm/ft

Downlight*: 175ma, 320 lm/ft
 350ma, 628 lm/ft
 700ma, 1216 lm/ft

*Delivered lumens based on 3500K/80CRI LEDs



† Ceiling setback and clearance at walls can impact performance and safety. Contact applications@thelightingquotient.com for design assistance.



Safely disinfect air in occupied spaces

elliptipar® introduces **G417** and **G51x**, safely using ultraviolet (UV) “light” overhead to kill or inactivate airborne microbes and viruses.

Upper-room air disinfection reduces the transmission of disease. Upper-room air disinfection is essential for suppressing pathogen transmission quickly; far surpassing HVAC-based disinfection.^[1]

In fact, upper-room air disinfection in combination with natural and mechanical air mixing can reduce the transmission of disease between room occupants by as much as 80%.^[2] This is equivalent to a ventilation system that replaces indoor air with outside air 24 times every hour.

Standard ventilation rates and natural convection in occupied rooms is generally sufficient to deactivate infectious aerosols expelled at body temperature.^[3]

Proven UV-C technology

The elliptipar® **G417** and **G51x** air disinfection solutions utilize UV-C technology, which is proven to deactivate viruses in addition to killing microbes such as bacteria and fungi. Healthier interior environments are created without introducing any harmful chemicals into the air.

1. [Nardell EA. Air Disinfection for Airborne Infection Control with a Focus on COVID-19: Why Germicidal UV is Essential. Photochemistry and Photobiology. 2021 Mar 23.](#)

2. [Mphahlele M. et al. Institutional Tuberculosis Transmission: Controlled Trial of Upper Room Ultraviolet Air Disinfection. American Journal of Respiratory and Critical Care Medicine. Volume 192 \(2015\). pp. 477-484.](#)

3. [McDevitt JJ. et al. Inactivation of Poxviruses by Upper-Room UVC Light in a Simulated Hospital Room Environment. PLoS ONE \(2008\)](#)

Lighting + disinfection

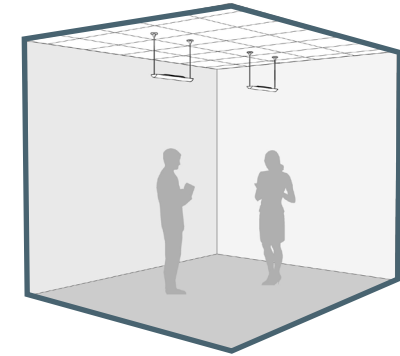
The diminutive scale and style of the elliptipar® **G417** and **G51x** blend with any interior design. Applications that integrate with elliptipar®’s popular **S417** and **S51x** luminaires produce upper-room air disinfection and a high-performance interior lighting solution.

Design guidance

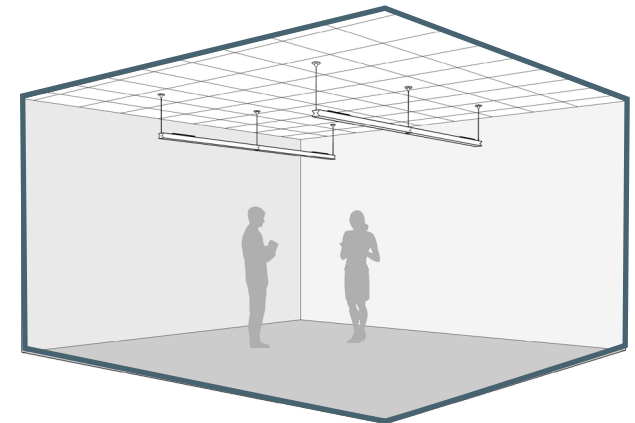
The elliptipar® **G417** and **G51x** products install suspended at 8'-6" or mounted to walls at 8'-9" above finished floor (AFF). The proprietary louver system directs UV-C emissions safely for air disinfection. These are suitable for rooms with ceilings at or above 10 feet.

Provide one suspended **G51x** module or one 3-ft **G417** wall unit for every 475-725 cubic feet of room volume, and position them for maximum uniformity and coverage. 2-ft **G417** wall units treat 240-360 cubic feet of room volume.

Contact applications@thelightingquotient.com for additional information and design guidance.



Area	10' x 12'
Ceiling height	10'
Volume	1,200 ft ³ (34 m ³)
UV-C	.044 mW/ft ³ (15.6 mW/m ³)



Area	16' x 18'
Ceiling height	10'
Volume	2,880 ft ³ (81.6 m ³)
UV-C	.037 mW/ft ³ (13.0 mW/m ³)

See Right:

Typical elliptipar® solutions for simple room applications.

